

Hull Mounted Running Gear Camera

The HC1 is designed to be mounted to the bottom of any marine vessel. The camera delivers real time video images of stabilizers, rudders and propulsion systems.

Features:

Excellent Picture Quality – Sony Super Had Sensor

The HC1 incorporates a 1/3-type Super Had sensor providing outstanding picture quality and superb light sensitivity.

One Cable to Camera

The inter-connect cable provides camera power, communication and video feed all on one cable.

Hydrodynamic & Rugged Housing

Withstands direct impact from sea debris. Operates with very little cavitation

High Speed Operation

Will deliver video even on plane with most hull designs

Other Features

- Easy Installation
- Low Power Consumption (210mA)
- Works with all NAV centers with video input
- Two Year Warranty

Disclaimer: The HC-1 is not intended to be used as a navigational aid.

Recommended: Installation be performed by a reputable boat yard familiar with transducer installations



HC1 Hull Cam

Specifications:

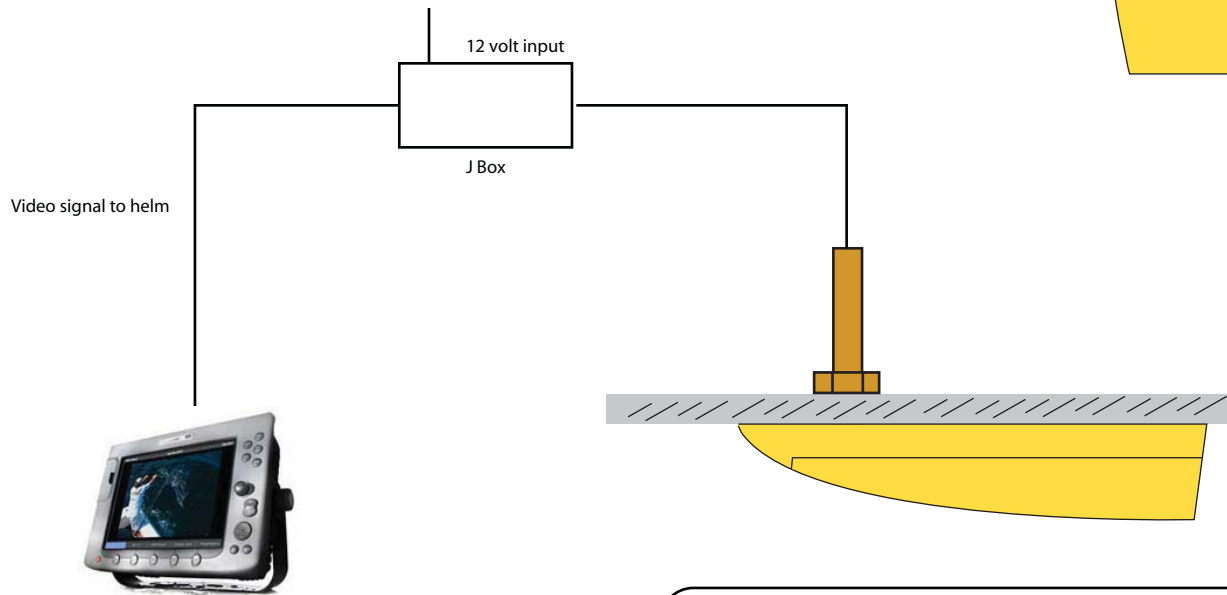
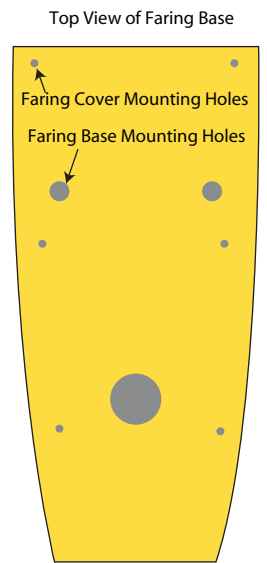
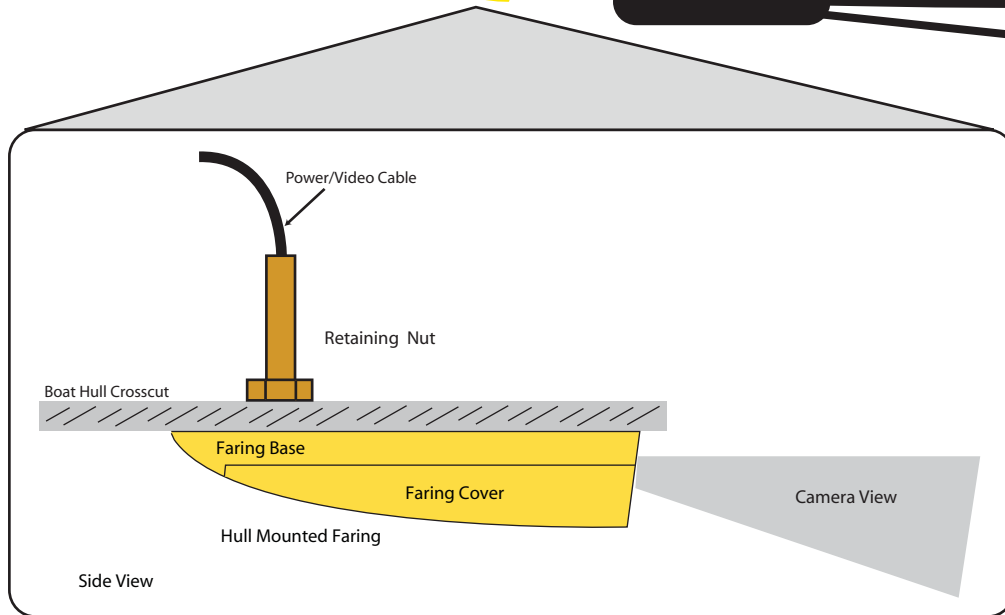
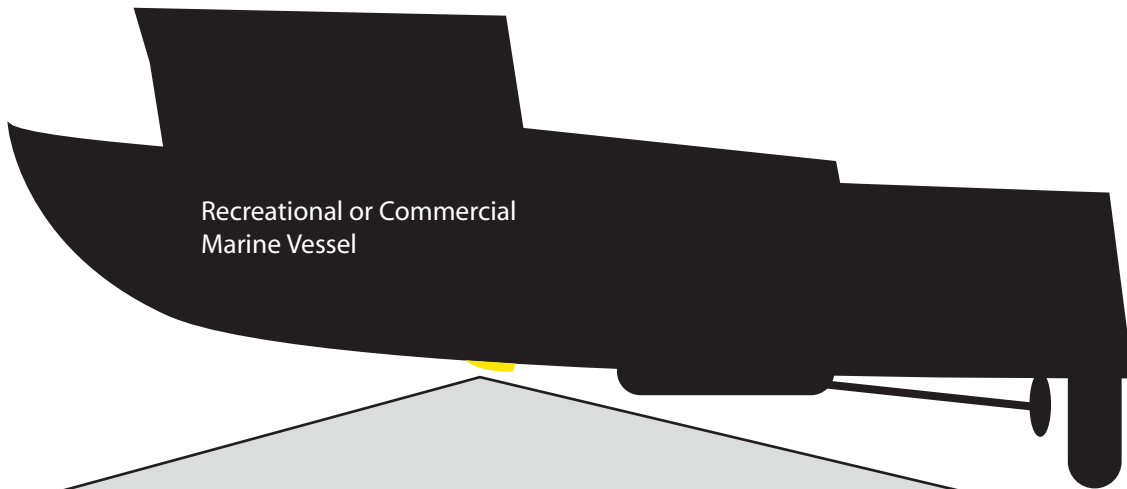
Faring Material: High Impact Urethane
 Through Hull Fitting: Bronze
 Resolution: 500 TV lines
 Image Device: Sony Super HAD
 Viewing Angle: 78 deg
 Iris: Electronic
 Operating Temp: 14 to 122 deg F
 Pick Up Area: 768(H) x 494(V)
 Light Sensitivity: 0.5 lux
 Current Consumption: 210mA MAX
 Voltage: 12 volts DC
 Video Output: Composite - RCA/BNC



Mounted on a Nordic 49



HC1 - Running Gear Camera



Your Local Dealer